



PROJECT		REF		REV	ITEM CODE	
LOCATION		DATE			PAGE	

SANITARY WARE SPECIFICATION SHEET

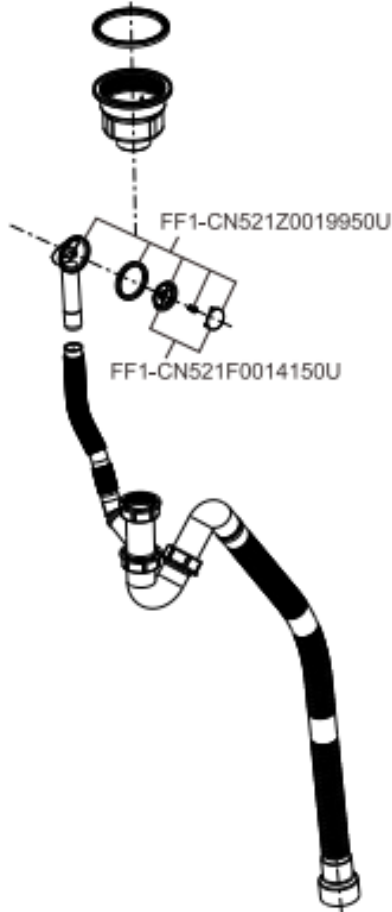
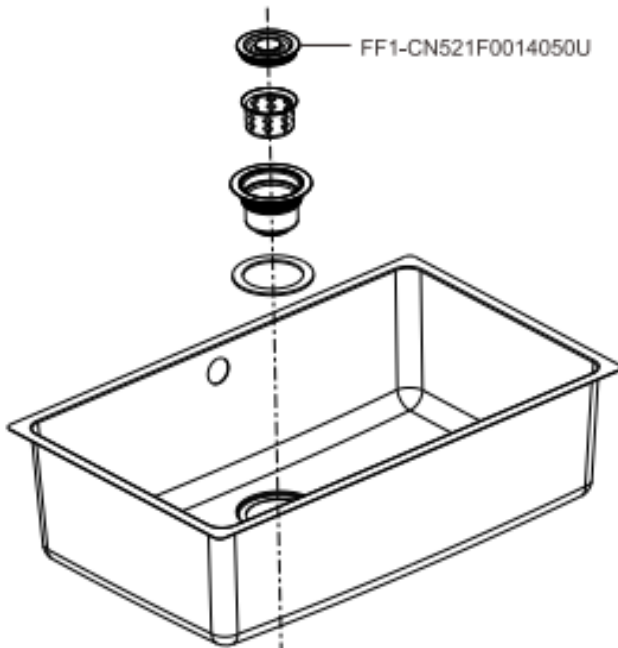
Item Descriptions		Illustration/ Drawing
Dimensions	American Standard (PRC) Stainless steel in grade 304 one-bowl undercounter sink	
Model	L556 x W436 x H220 mm (Bowl)	
Material	101374MS00	
Finish	Stainless Steel 304	
Manufacturer	Satin	
Source	American Standard (PRC)	
Contact Tel/Fax	Acme Sanitary Ware Co. Ltd	
E-mail	Mr. Eric Wong/ Mr. Don Yuen	
Website	(852) 2388-7171 / (852) 2710-8012	
<p>Detail specifications</p> <ul style="list-style-type: none"> Under Counter Design One-bowl Sink High Quality SUS304 Stainless Steel Strong Ability for Anti-corrosion and Anti-oxidation High-end satin finish / Deep flap design Rearward- waste design Capacity (to overflow): 29L With SUS304 drain and PP Material Waste SUS304 sheet thickness 1.2mm With box packaging / Product weight: 5.0 kg Standards Criteria: Q/ASJM 004-2023 		

Note: Bottle trap is excluded.

* All information of the above is for the reference only. No prior notice is made if any changes.



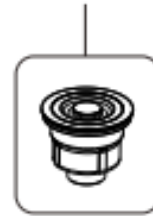
SANITARY WARE SPECIFICATION SHEET



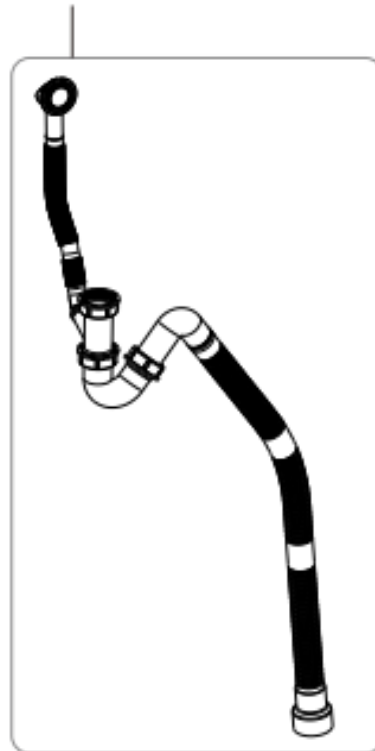
1010-1

Compatible with 1/2" anti-siphonic bottle trap
(Bottle trap shall be bought seperately)

FF1-CN521Z0019850U



FF1-CN521T0009099U



Note: Bottle trap is excluded.